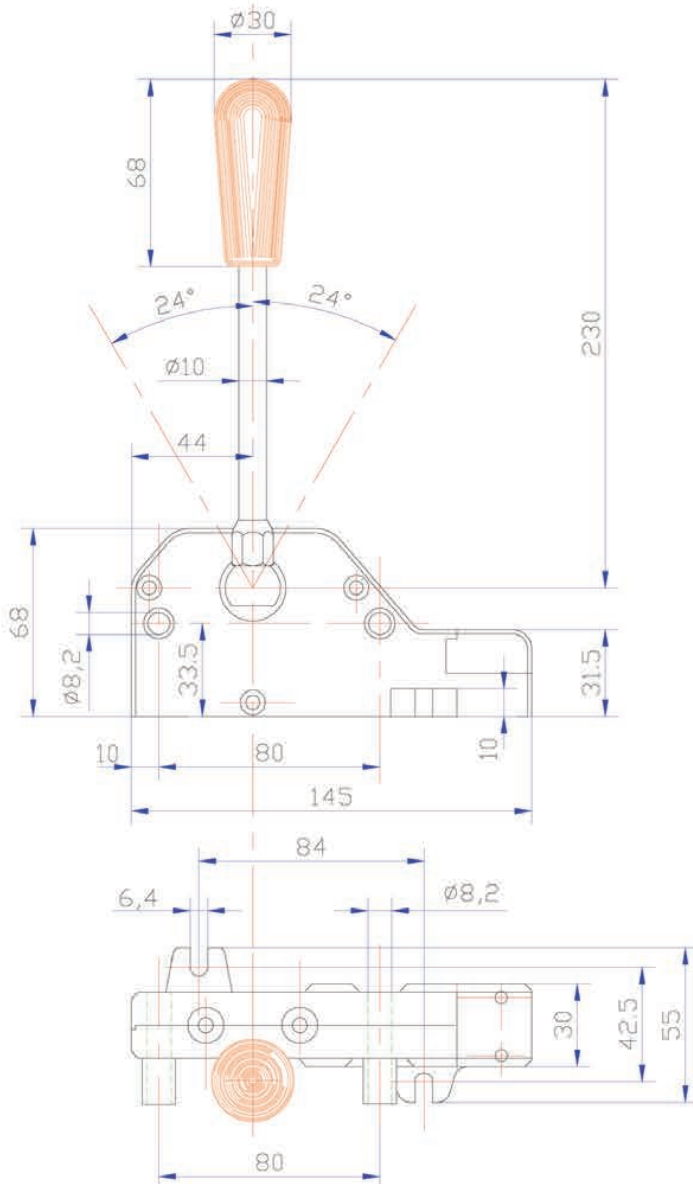
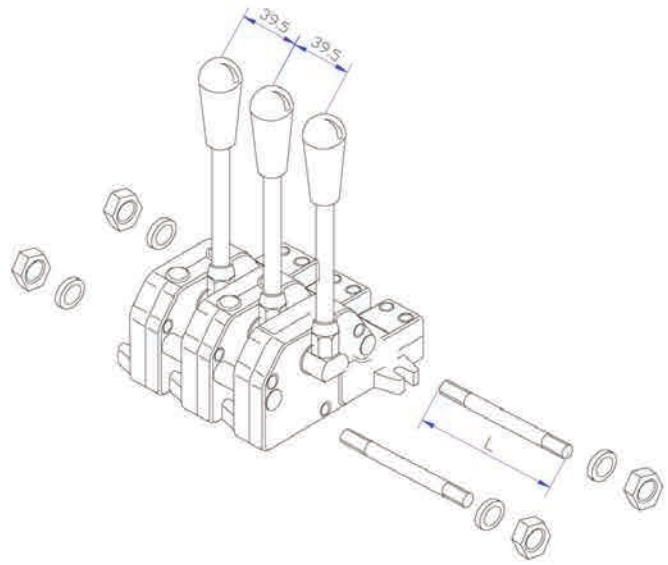


Features

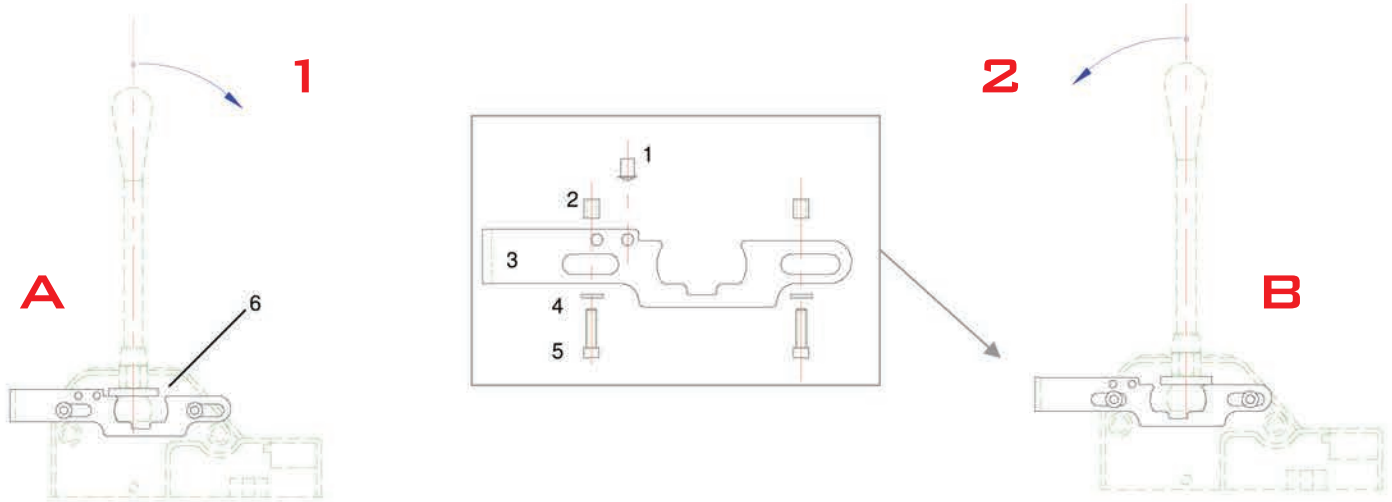
- Stackable Assembly
- Adjustable End-Stroke
- Anti-Reverse Kit
- Customized Lever Length
- Different Knob Type



Technical Data

Stroke	16 + 16 mm
Work Load	45 Kgs
lever Length	230 mm
Body Finishing	Sand
Lever Ratio	12.1

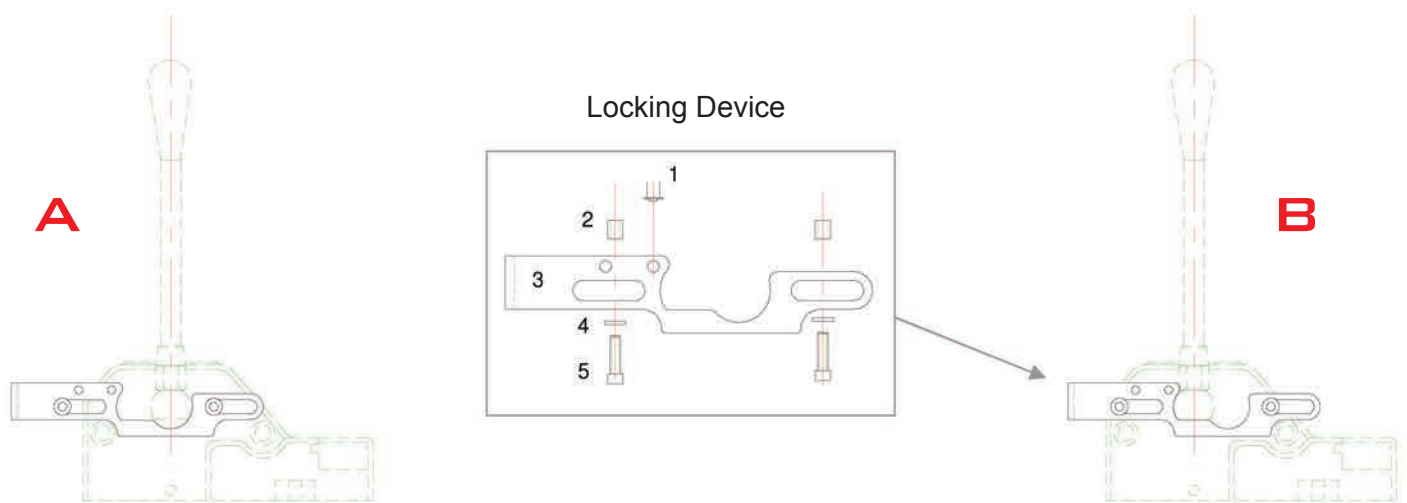
WK 100 WITH ANTI-REVERSE DEVICE



Anti-Reverse Device in Position A
Free Lever direction 1

Anti-Reverse Device in Position B
Free Lever direction 2

WK 100 WITH LOCKING DEVICE



Lock Device in Position A
Free Lever

Lock Device in Position B
Locked Lever

ORDER FORM

W	1	0		-				
---	---	---	--	---	--	--	--	--

TYPE

- 0 - Without spacer(s)
- 1 - With spacer

LEVER LENGTH

- 0 - L=230
- 1 - L=180

END STROKE

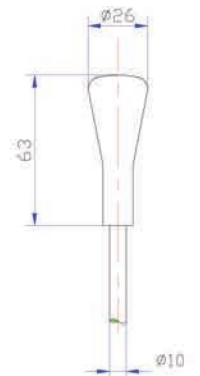
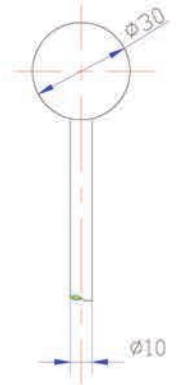
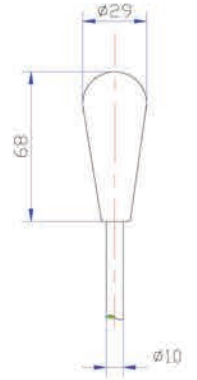
- 0 - Yes
- 1 - No

LEVER OPTION

- 0 - Standard
- 1 - Anti-Reverse kit
- 2 - with locking device

KNOB TYPE

- 3 - Oval
- 4 - Spheric
- 5 - Conic



3

4

5