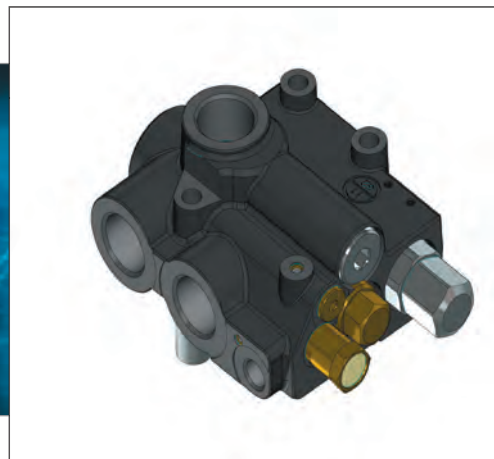




SMRV

SCREEN MOTOR REGULATED FLOW CONTROL VALVE

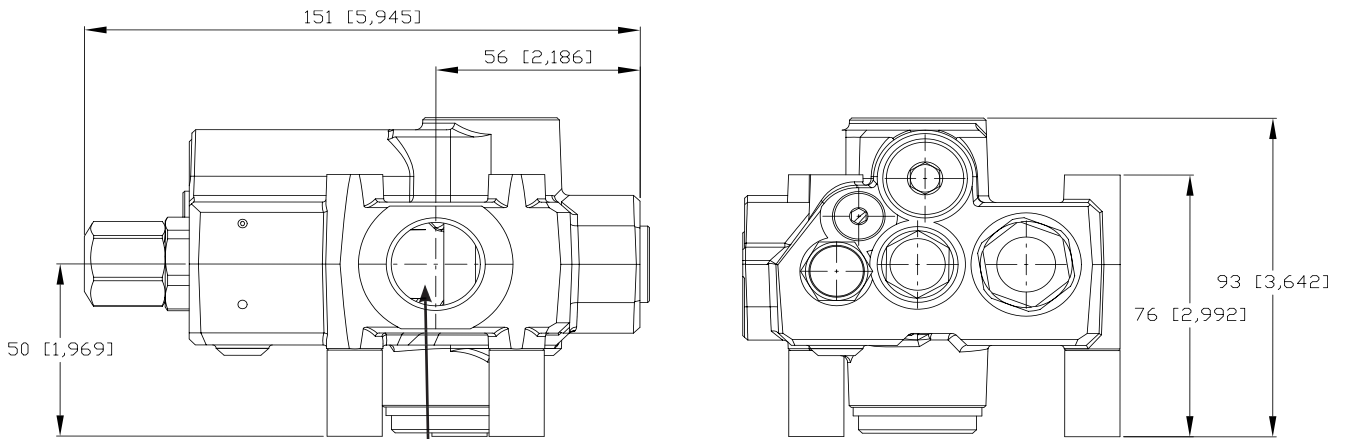


CONTENT

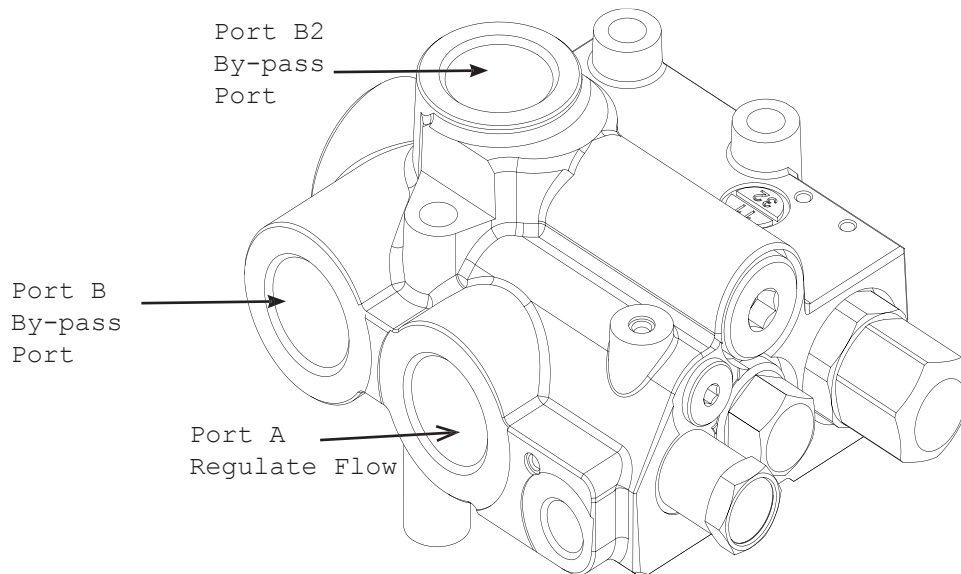
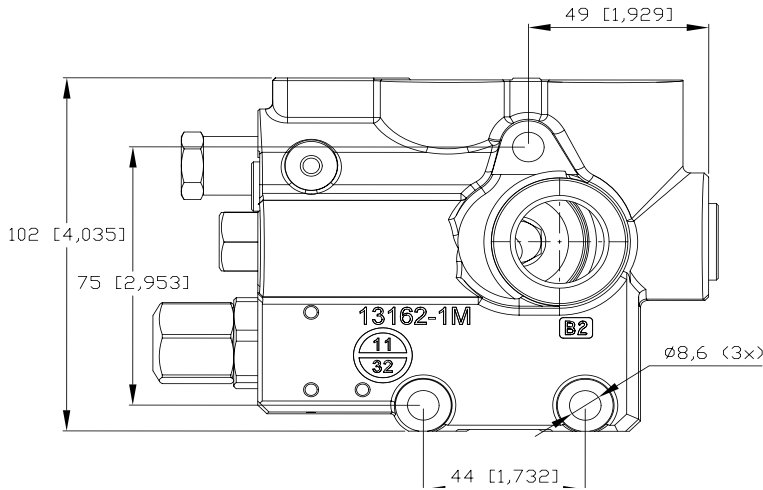
Page 3	Technical Data
Page 4	Dimensions
Page 5	Installation Option

The SMRV-valve controls the oil flow, pressure relief and has a free reverse flow for the Screen Motor.

Model Type	Port Size	
SMRV 1/2	BSP1/2	P1, P2, A, B, B2
SMRV 3/4	BSP 3/4	P1, P2, A, B, B2
SMRV-08	SAE 8, 3/4-16 UNF	P1, P2, A, B, B2
SMRV-10	SAE 10, 7/8-14 UNF	P1, P2, A, B, B2
SMRV-12	SAE 12, 1" 1/16-12 UN	P1, P2, A, B, B2
Max Pressure Setting	bar	psi
Working pressure	350	5100
Flow Rates	l/min	USgpm
Max flow A/B	0 to 110	0 to 29
Temperature Range	°C	°F
Standard seals	-40 to +80	-40 to +176
Filtration		
Contamination level equal to or better then	19/16 according to ISO 4406	NAS 1638-class 10
Viscosity	mm²/s (cSt)	SSU
Recommended operating viscosity range	10-400	47 - 1875
Start viscosity up to	1000	4687
Weight	kg	lbs
	3,3	7,27
Mounting Holes		
Standard	3 bolts M8 or 5/16"	

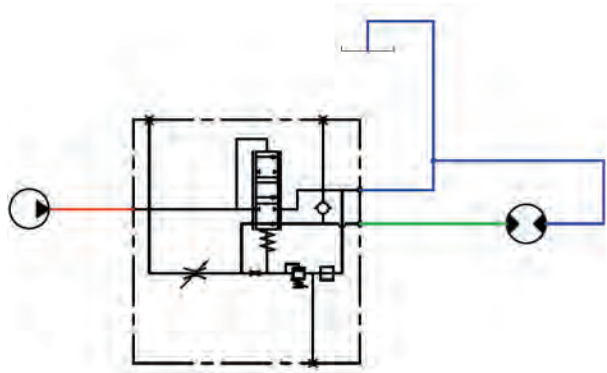


Port P1
Pump Port

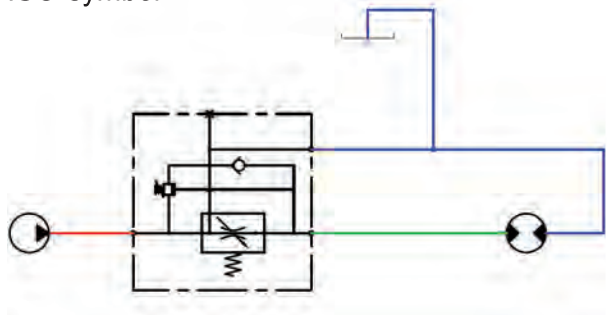


Installation Option 1

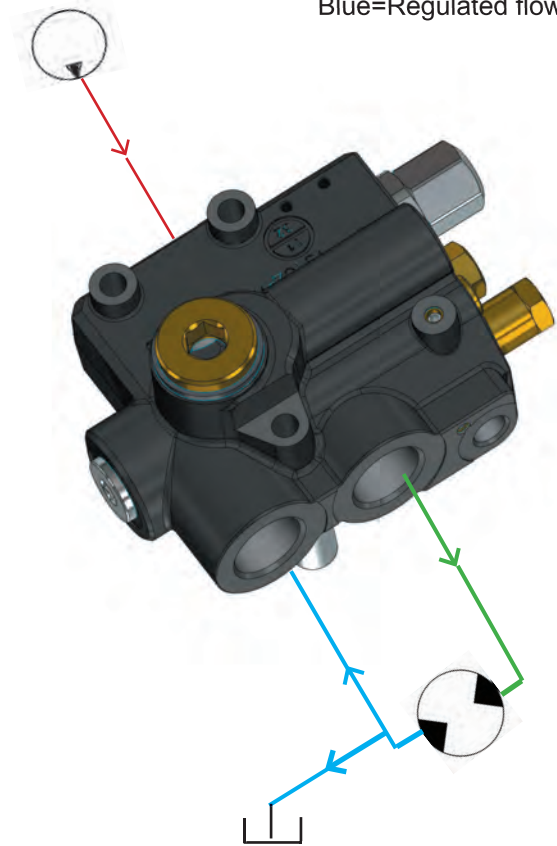
Detailed Valve Symbol



ISO-symbol

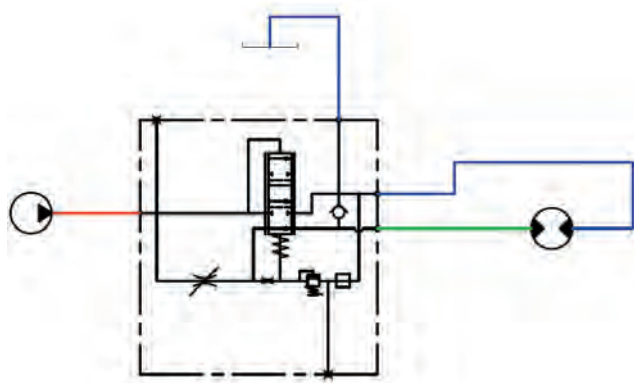


Red=Pressure
Green=Tank
Blue=Regulated flow

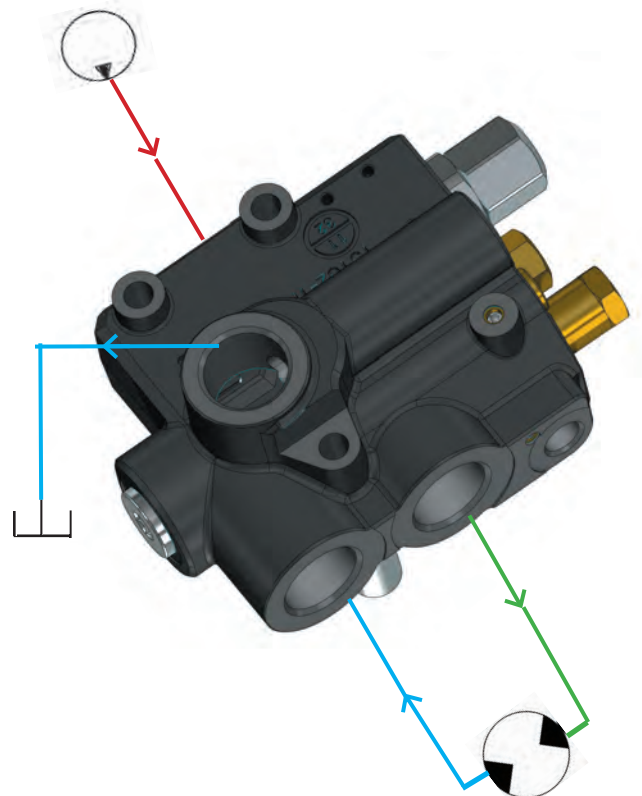
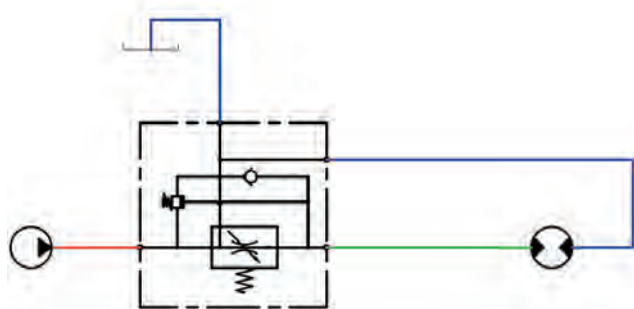


Installation Option 2

Detailed Valve Symbol



ISO-symbol



WWW.NIMCO-CONTROLS.COM

nimco

hydraulic systems

Nimco Controls

North America & Asia
Corporate Headquarters
1500 S. Sylvania Avenue (USA)
Sturtevant, WI 53177
Phone: 262-884-0950
salesusa@nimco.us

Nimco Controls

Europe
71-75 Shelton Street
Covent Garden, London
WC2H 9JQ United Kingdom
Phone: +44 20 3772 4540
saleseurope@nimco.se



- Factory
- Distributor