



REMOTE  
CONTROL UNIT  
PPC - PPCJ



**NIMCO**  
**NIMCO**  
**NIMCO**  
**CONTROLS**

RELIABILITY FROM QUALITY





Page 3	General Information
Page 4	Technical data
Page 5	Dimensions & Options
Page 6	Applications & Ordering codes



The PPC bankable and PPCJ Joystick pneumatic proportional control units are designed to provide accurate air control of pneumatic cylinders, when fitted to NIMCO's range of hydraulic control valves, as part of the NIMCO air-over-oil proportional control system. They are suitable for use on vehicles such as dump trucks, fork lift trucks, trucks and similar equipment where compressed air is available, and precise control of actuators is an important part of the operational cycle.

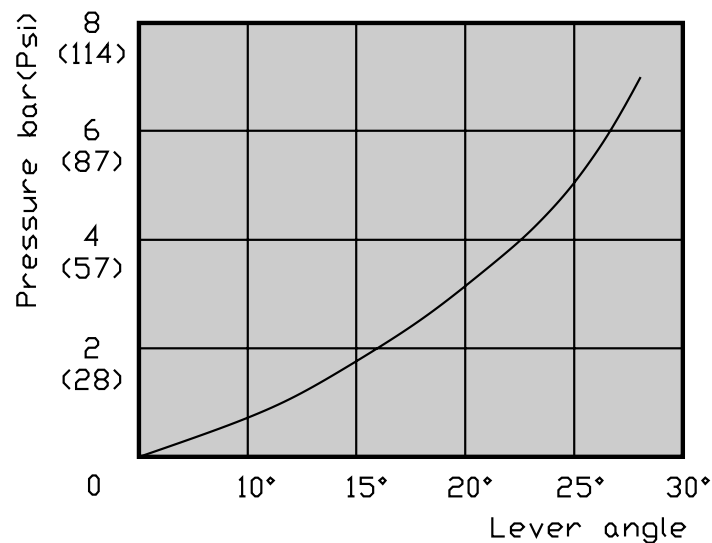
Each valve consists of two pressure reducing valves, which directs the air to whichever side of the control unit is operating. The control valve is self balancing, which ensures that a constant air pressure is maintained in each side of the valve, whatever the position of the hand lever, and regardless of any air leakage. This ensures that a proportional relationship is maintained between the hand lever and the air pressure at the outlets. Maximum air pressure is achieved when the hand lever is fully stroked in either direction, and all air pressure is released when the handle is returned to the neutral or central position.

The PPC valve can be used as a single stand alone or banked up to nine sections. Only one air pressure feed and one return are required to operate up to nine sections. The PPC valve can be fitted with a wide selection of detent mechanisms and the hand lever can be equipped with a variety of electrical switches, which can also be fitted to the PPCJ dual axis joystick version.

The robust design and careful choice of materials allow the PPC and PPCJ units to operate reliably over long periods of time, even in the most aggressive environments.

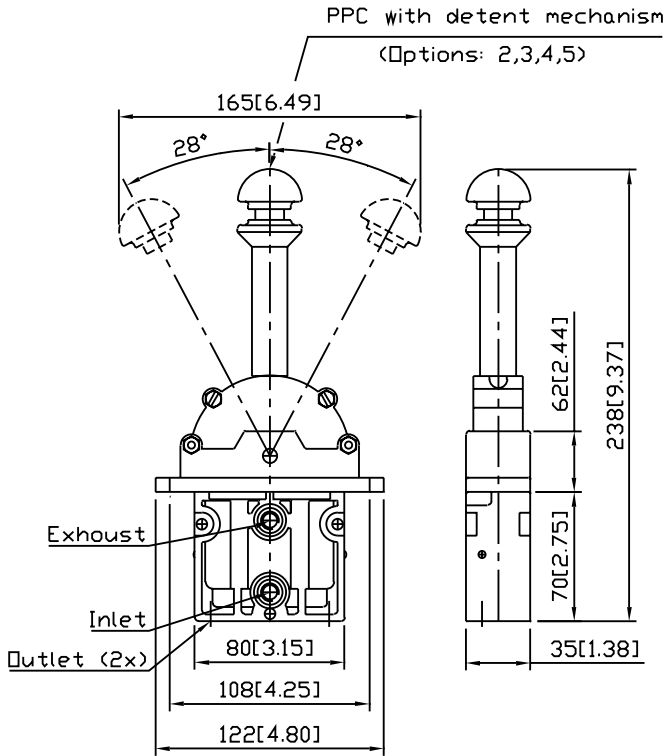
<b>Max. Pressure</b>	<b>bar</b>	<b>psi</b>
	10	145
<b>Pressure Control range</b>	<b>bar</b>	<b>psi</b>
	0-7	0-101
<b>Temperature Range</b>	<b>° C</b>	<b>°F</b>
	-30 to +100	-22 to +212
<b>Flow capacity</b>	<b>dm<sup>3</sup>/min</b>	<b>inch<sup>3</sup>/min</b>
	350 (at 6.9 bar)	21354 (at 100 psi)
<b>Stroke of lever</b>	<b>28°</b>	<b>28°</b>
<b>Weight</b>	<b>kg</b>	<b>lbs</b>
PPC	0.6	1.3
PPCJ	1.3	2.9
Weight spacer	0.3	0.7
<b>Port sizes NPTF1/8"</b>		
AC resistive	4A/24V	4A/24V
AC/DC resistive	4A/24V	4A/24V

**Air pressure as a function of the lever angle**

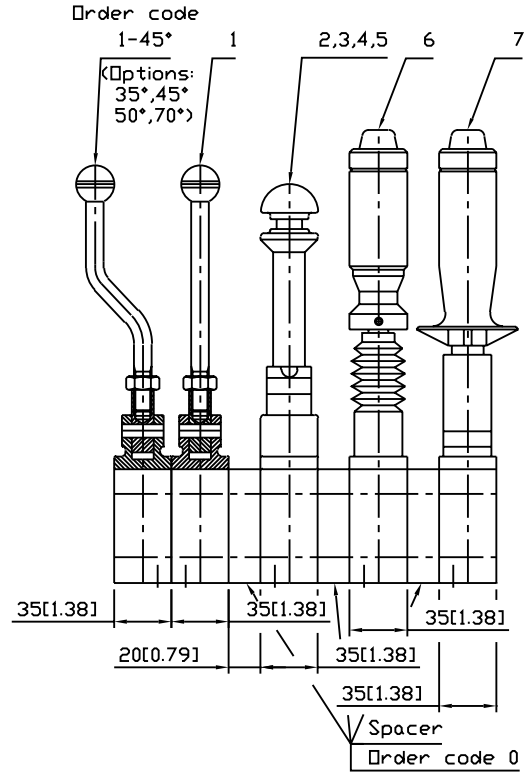


**DIMENSIONS & OPTIONS**

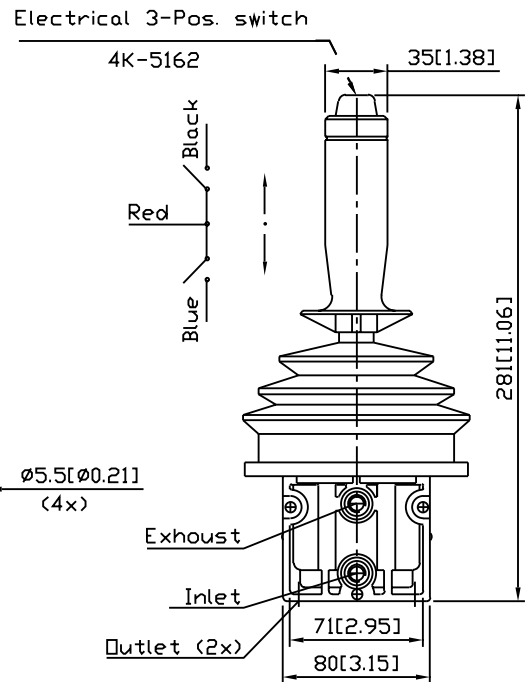
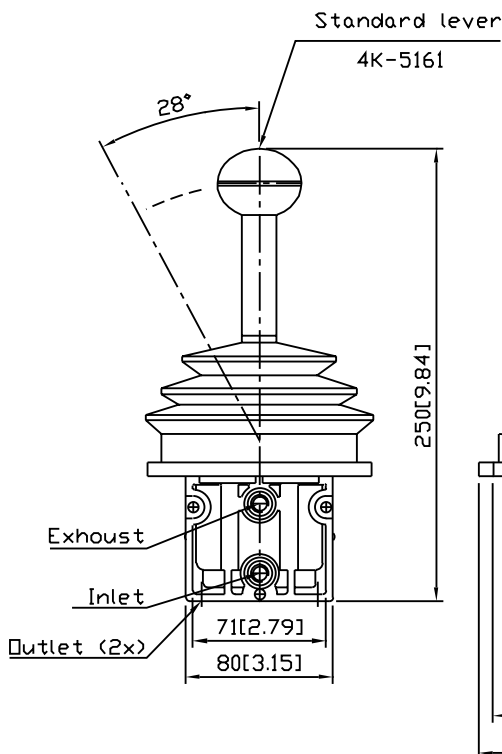
**PPC**



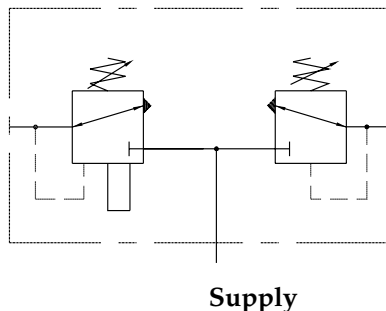
**Standard levers assembled**



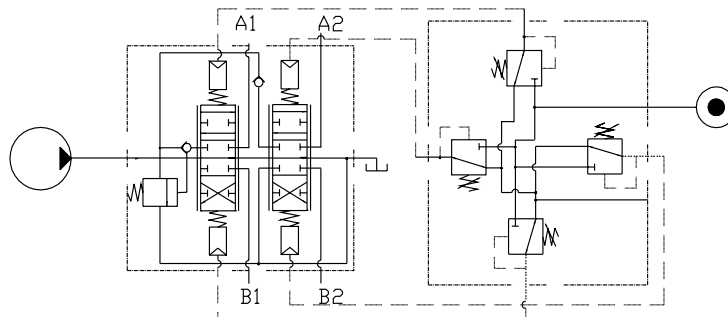
**PPCJ**



**Schematics PPC**

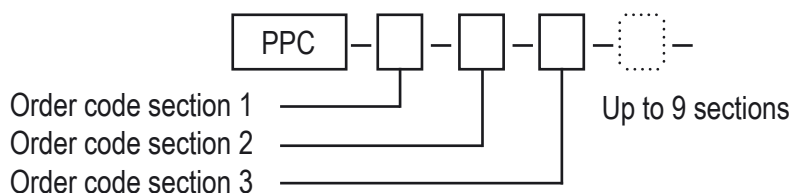


**Schematics PPCJ**



## Valve description

PPC version	Order Code
Spacer	0
Standard hand lever with spring centering	1
Detent in middle position	2
Detent in middle and one end position	3
Detent in all 3 positions	4
Detent in both end positions	5
Two position electrical switch	6
Three position electrical switch	7



PPCJ version	Order Code
Standard lever	4K - 5161
Electrical 3 - position switch	4K - 5162

WWW.NIMCO-CONTROLS.COM

# nimco

hydraulic systems

## Nimco Controls

North America & Asia  
Corporate Headquarters  
1500 S. Sylvania Avenue (USA)  
Sturtevant, WI 53177  
Phone: 262-884-0950  
salesusa@nimcous.com

## Nimco Controls

Europe  
71-75 Shelton Street  
Covent Garden, London  
WC2H 9JQ United Kingdom  
Phone: +44 20 3772 4540  
saleseurope@nimco.se



- Factory
- Distributor